



BRISKSPRING



**Full Scene Water Purification System,
One-Stop OEM/ODM Service Provider**

倍舜净水产品手册

BRISK SPRING, Pure Water to Your House!

CONTENTS

目录

About BRISKSPRING	关于品牌	01
ISO9001 Factory	实力工厂	02
International Certificates	证书资质	03
Brand Cooperation	合作品牌	04
Water Filter	前置过滤器	05
Household Water Descaler	家用柔水器	09
Industrial Descaling System	工业除垢防锈器	15
Water Leak Detector	漏水保护器	17
Terminal Scale Inhibitor	末端阻垢器	21
Reverse Osmosis Water System	反渗透净水器	35
Countertop RO Water Dispenser	即热型台式净饮一体机	37



About BRISKSPRING

关于品牌



"Hangzhou Beishun BriskSpring Environmental Technology" is a leading manufacturer of water purification and sanitary systems with over 20 years of experience. Our headquarters is located near Shanghai on a 65,000 square meters facility. We specialize in all-scenario water purification systems and have mastered the core technology of purification from the source, holding 700+ National Patents. We are honored to be recognized as one of "Top10 water purification industry leaders" and a "National high-tech enterprise". Our commitment to innovation and excellence has also earned us a "Patent demonstration enterprise" and a "Zhejiang science and technology enterprise". These accolades serve as a testament to our dedication to providing the highest quality water purification and sanitary systems to our customers.

With an annual production level that has doubled for 8 consecutive years, we are the No.1 preferred OEM partner factory for 600+ top global brands of water purification and sanitary industries. We have the qualification and ability to master the intelligent manufacturing of the entire industrial chain, including industrial design, hardware, copper parts, rubber and plastic parts & hoses, instruments, filter screens, filter elements, and wire control boards.

We self-manufacture all core components and have an automatic mass production system to control the quality and price of the supply chain. Our current production capacity is about 150 million units per year.

We invite you to a long-term and fruitful cooperation, which brings purity and safety.

ISO9001:2015 Factory

实力工厂

600+
Top Global Brands

20
Years of Experience

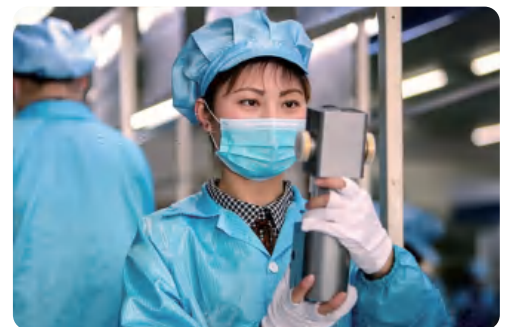
8
Years of Doubled Production

7
Industry Group National Standards

700+
National Patents

150 Million
Units Production Capacity

65,000+
m² Production Area





International Certificates

证书资质



National High-Tech Enterprise



Chinese Famous Brand



NSF Certification



SGS



Technology Patent



IOS 9001



Antibacterial Label



Environmental Label



RoHS



ACS





Brand Cooperation

合作品牌



Honeywell

SIEMENS

GREE

**A.O. SMITH
史密斯**



Haier

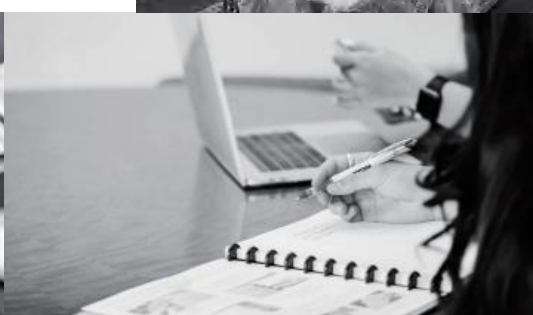
PHILIPS



**科勒
KOHLER**

Hunsdon 汉斯顿

iSpring





BRISK SPRING

Premium Siphon Backwashing Water-Driven Filter



Waterproof Hammer
Technology



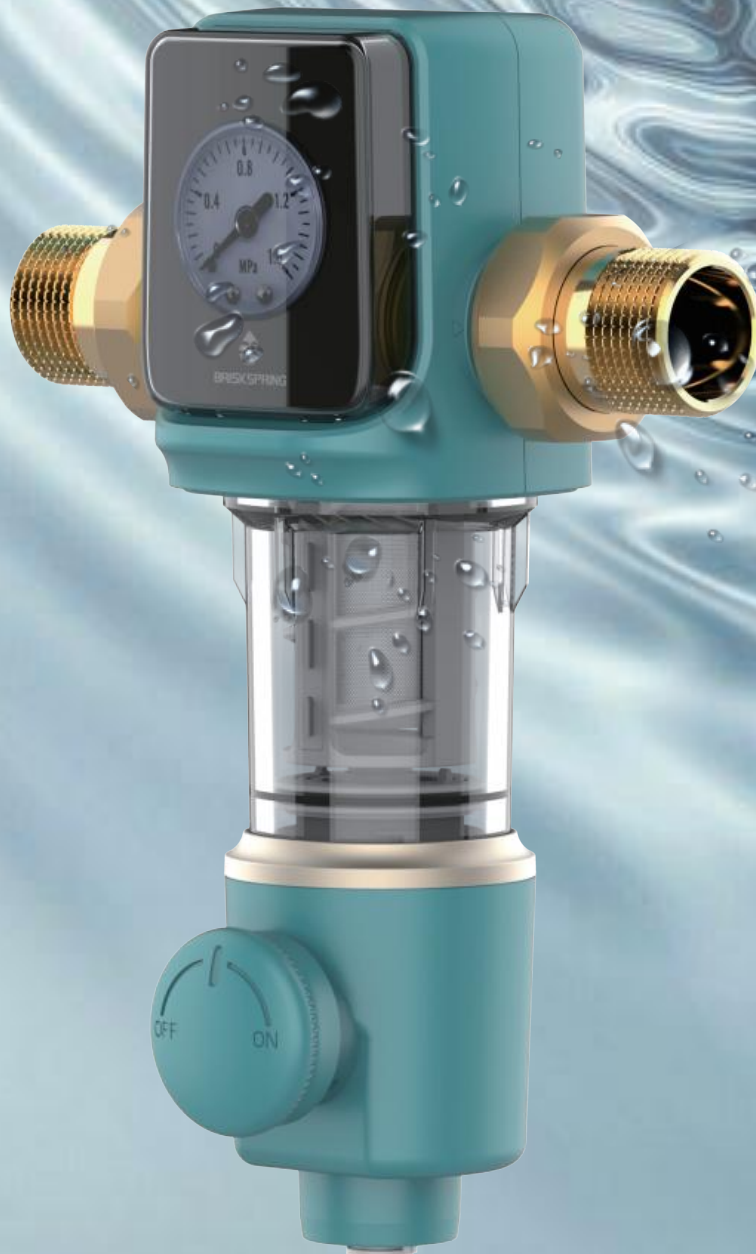
Pressure Gauge
Real-Time Observation



Water-Driven Automatic
Mesh Scraping



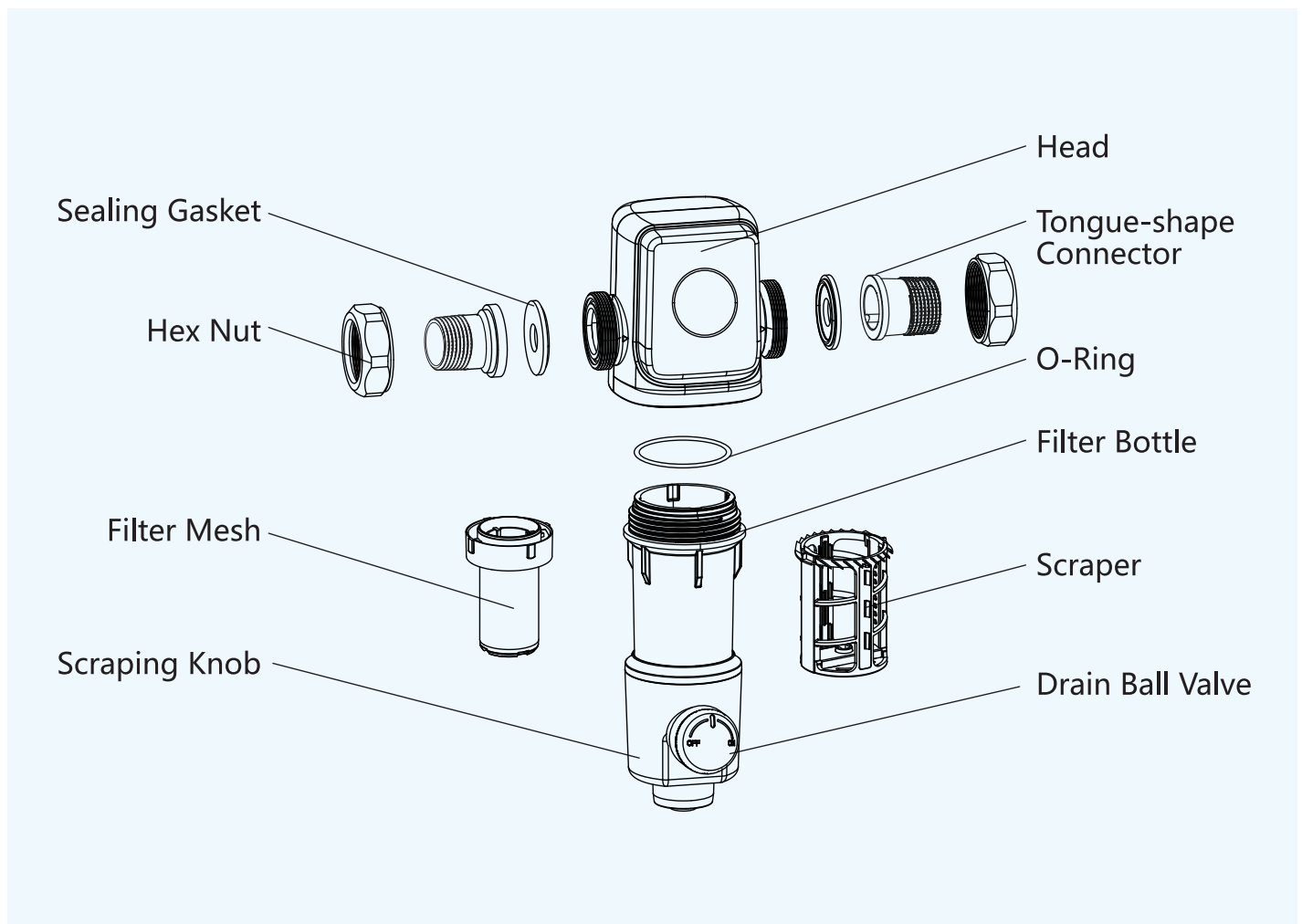
Siphon
Backwashing



Parameter Table

Water Flow 5 T/H (22GPM)	Connector 3/4" (1/2" or 1" available)
Filtration Accuracy 40 & 300 Micron	Certifications NSF, RoHS, SGS
Applicable Water Pressure 0.15MPa ~ 1MPa (21.8Psi ~ 145Psi)	Applicable Water Quality Municipal Tap Water
Gross Weight 1.38KG	Item Weight 1.0 KG
Applicable Environment Temperature +1°C ~ +40°C (33.8°F ~ 104°F)	Product Dimensions 310 x 155 x 126 MM (12 x 6 x 4.96 Inch)
Included Components Wrench, Manual, Sewer Drain Connector, Sewage Drain Pipe	Flushing Mode Auto
Connector Material Premium H59-1 Brass	Filter Mesh Material SUS316 Stainless Steel

Structural Drawing





BRISKSPRING

Whole House Spin Down Sediment Water Filter



Flushable and Reusable



Easy Installation



Certified by SGS
BPA FREE



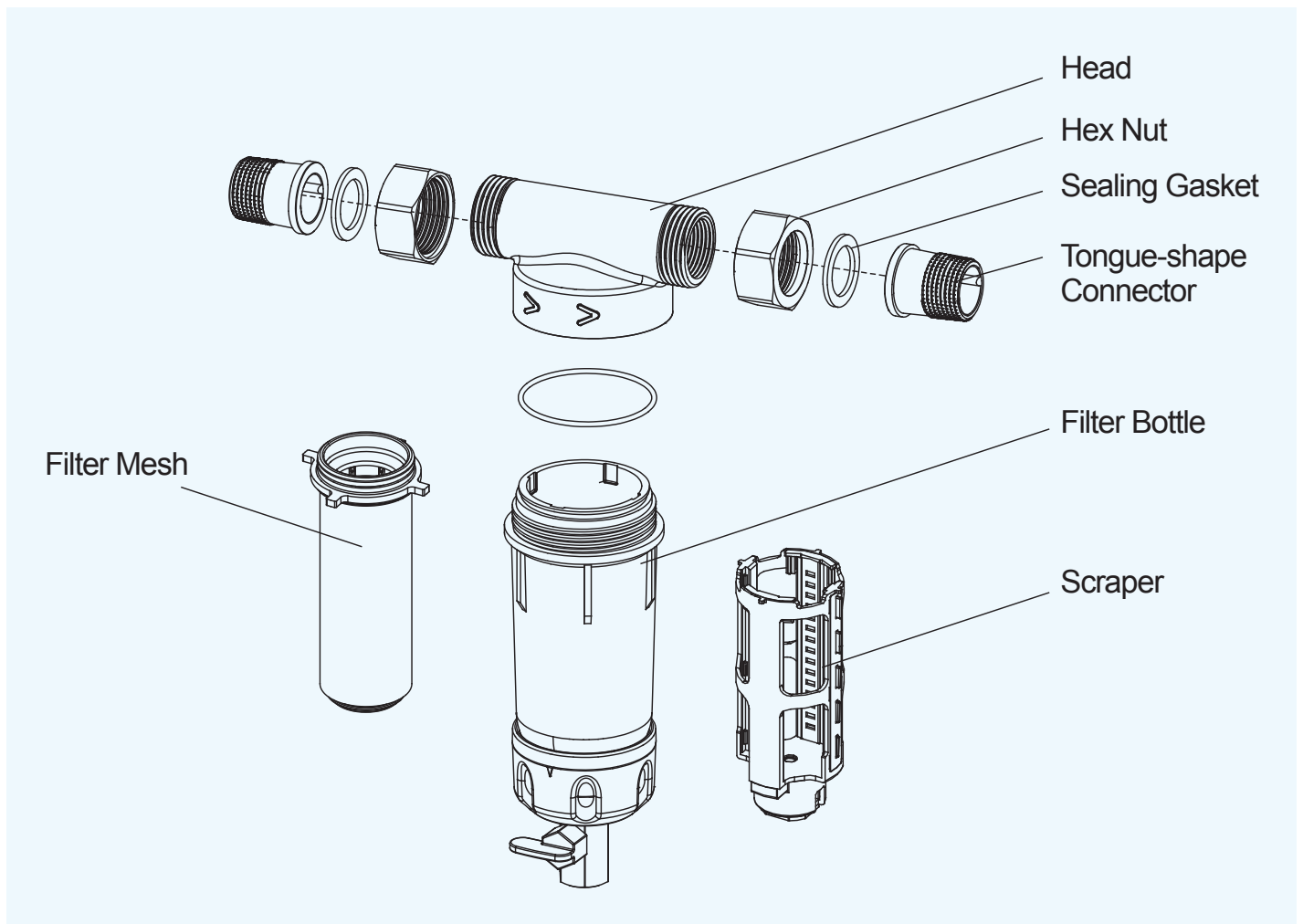
Durable & Pressure-resistant Materials



Parameter Table

Water Flow 4 T/H (17.6 GPM)	Connector 3/4" (1/2" or 1" available)
Filtration Accuracy 50 Micron	Certifications NSF, RoHS, SGS
Applicable Water Pressure 0.15MPa ~ 1MPa (21.8Psi ~ 145Psi)	Appearance Patent Number ZL201430054401.X
Applicable Water Quality Municipal Tap Water	Item Weight 0.663 KG
Applicable Environment Temperature +1°C ~ +40°C (33.8°F ~ 104°F)	Product Dimensions 151 x 66 x 215 MM (6.1 x 2.6 x 8.46 Inch)
Included Components Wrench, Manual, Sewer Drain Connector, Sewage Drain Pipe	Flushing Mode Manual
Connector Material Premium H59-1 Brass	Filter Mesh Material SUS 316 Stainless Steel

Structural Drawing





Brisk Spring,
Pure Water To Your House!

Advanced Whole House Central Water Descaler



No Magnetism
or Electricity



Safety &
Environmental
Friendly



Long-Lasting
& Maintenance-Free



Innovative
Technology Keeping
Costs Low



BRISKSPRING

CENTRAL WATER DESCALER
EFFECTIVELY PREVENT CORROSION AND Limestone CREATION



IPSE
ION
PURE
SYSTEM



Efficiency
86%



More Current
Scale Cleaning



10
Long Term Line
Scale Slipping



Healthy Without
Sodium Salt



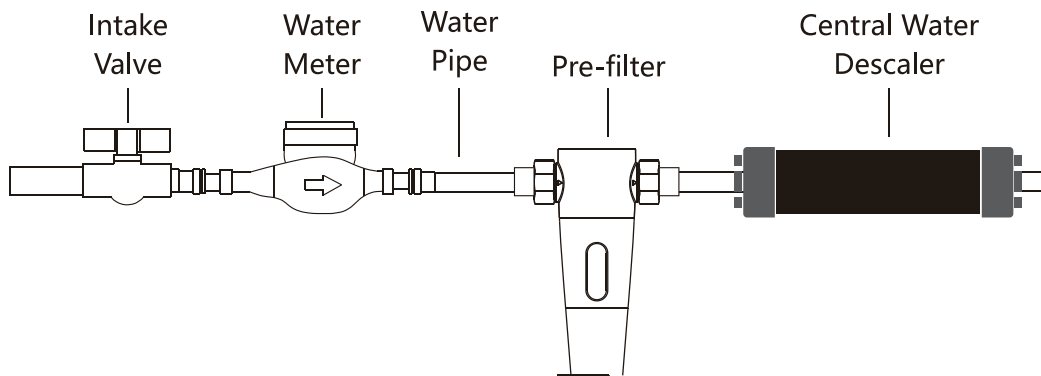
FLOW DIRECTION

Parameter Table

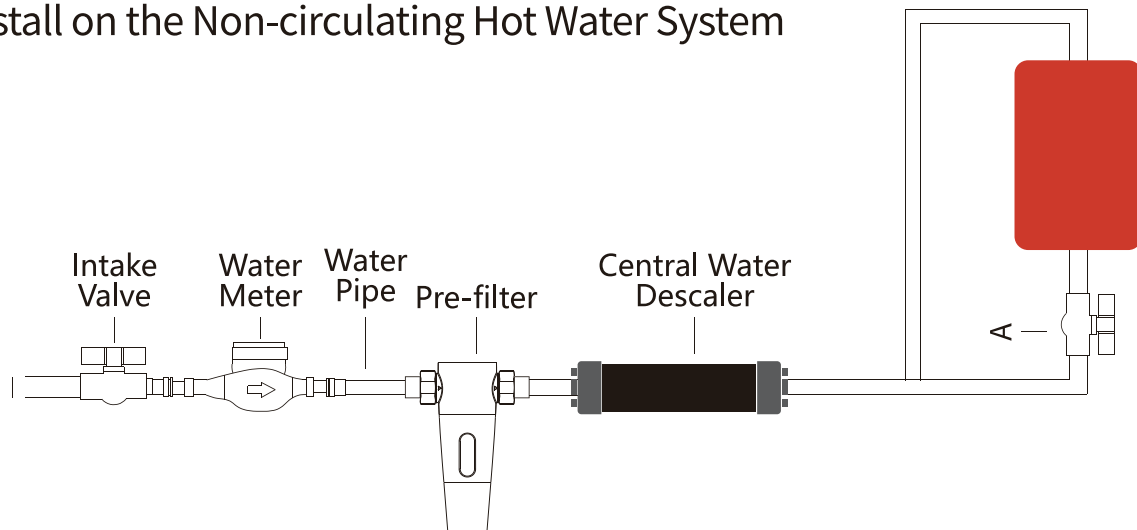
Connector Size 3/4", 1"	Item Weight 0.925KG
Connector Material H59-1 Copper	Package Weight 1.273KG
Certifications CE, NSF, RoHS, SGS	Applicable Water Temperature 0°C ~ +99°C (2°F ~ 210.2°F)
Applicable Water Municipal Water	Product Dimensions 250 x 60 x 60MM (9.8 x 2.4 x 2.4Inch)
Applicable Water Pressure 0.15MPa ~ 1MPa (21.76Psi ~ 145.03Psi)	Package Dimension 300 x 100 x 100MM (11.8 x 3.9 x 3.9Inch)
Flow Rate ≤ 4T/H (≤17.6 GPM)	Working Principle Pure Physical Ion Polarization

Schematic Diagram of Connection

1 Standard Installation on Water Supply System



2 Install on the Non-circulating Hot Water System





Brisk Spring,
Pure Water To Your House!

Advanced Whole House Central Water Descaler



No Magnetism
or Electricity



Safety &
Environmental
Friendly



Long-Lasting
& Maintenance-Free



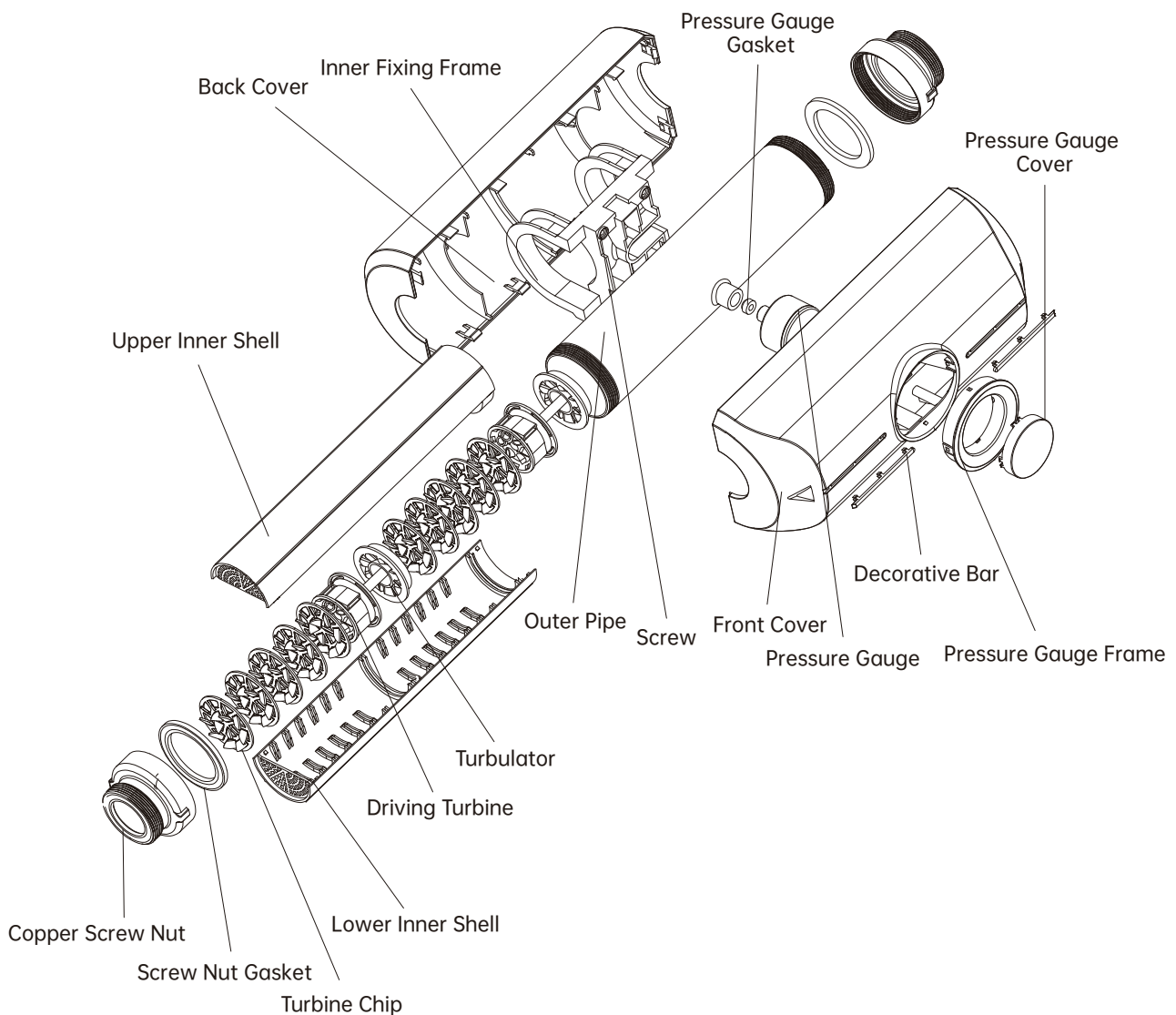
Innovative
Technology Keeping
Costs Low



Parameter Table

Connector Size 3/4", 1" (F1/2", 3/4", 1")	Item Weight 1.341KG
Connector Material H59-1 Copper	Package Weight 2.170KG
Certifications CE, NSF, RoHS, SGS	Applicable Water Temperature 0°C ~ +99°C (32°F ~ 210.2°F)
Applicable Water Municipal Water	Product Dimensions 270 x 130 x 100MM (10.6 x 5.1 x 3.9Inch)
Applicable Water Pressure 0.15MPa ~ 1MPa (21.76Psi ~ 145.03Psi)	Package Dimension 310 x 190 x 160MM (12.2 x 7.5 x 6.3Inch)
Flow Rate ≤ 5T/H (≤22 GPM)	Working Principle Pure Physical Ion Polarization

Structural Drawing





Brisk Spring,
Pure Water To Your House!

Advanced Whole House Central Water Descaler



No Magnetism
or Electricity



Safety &
Environmental
Friendly



Long-Lasting
& Maintenance-Free



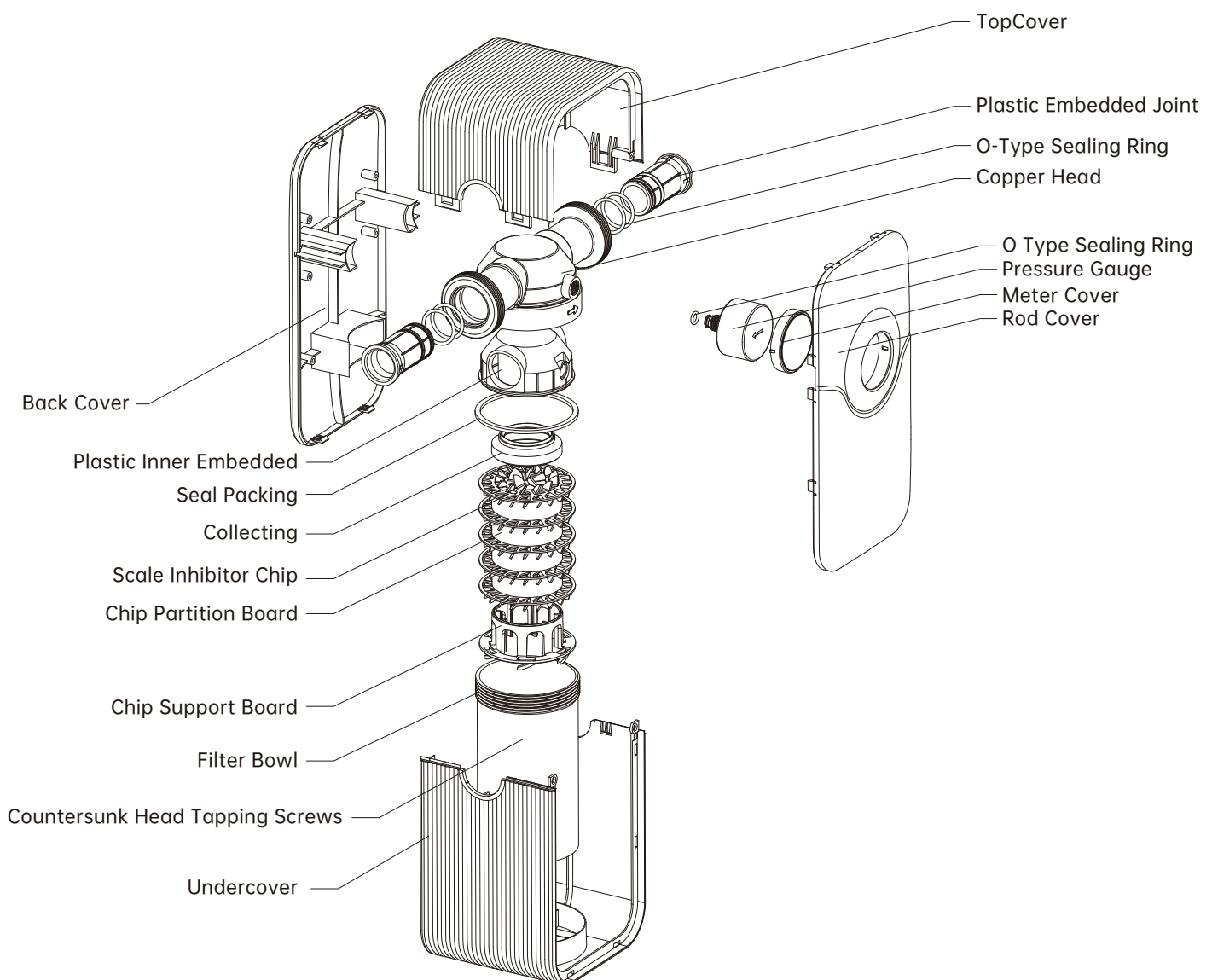
Innovative
Technology Keeping
Costs Low



Parameter Table

Connector Size 3/4", 1"	Item Weight 1.146KG
Connector Material H59-1 Copper	Package Weight 1.923KG
Certifications CE, NSF, RoHS, SGS	Applicable Water Temperature 0°C ~ +99°C (32°F ~ 210.2°F)
Applicable Water Municipal Water	Product Dimensions 209 x 136 x 117MM (8.2 x 5.4 x 4.6Inch)
Applicable Water Pressure 0.15MPa ~ 1MPa (21.76Psi ~ 145.03Psi)	Package Dimension 330 x 180 x 170MM (13.0 x 7.1 x 6.7Inch)
Flow Rate ≤ 5T/H (≤22 GPM)	Working Principle Pure Physical Ion Polarization

Structural Drawing





BRISK SPRING

Superb Efficient Industrial Water Scale Inhibitor



No Magnetism
or Electricity



Safety & Environmental
Friendly



Long-Lasting &
Maintenance-Free



Innovative Technology
Keeping Costs Low



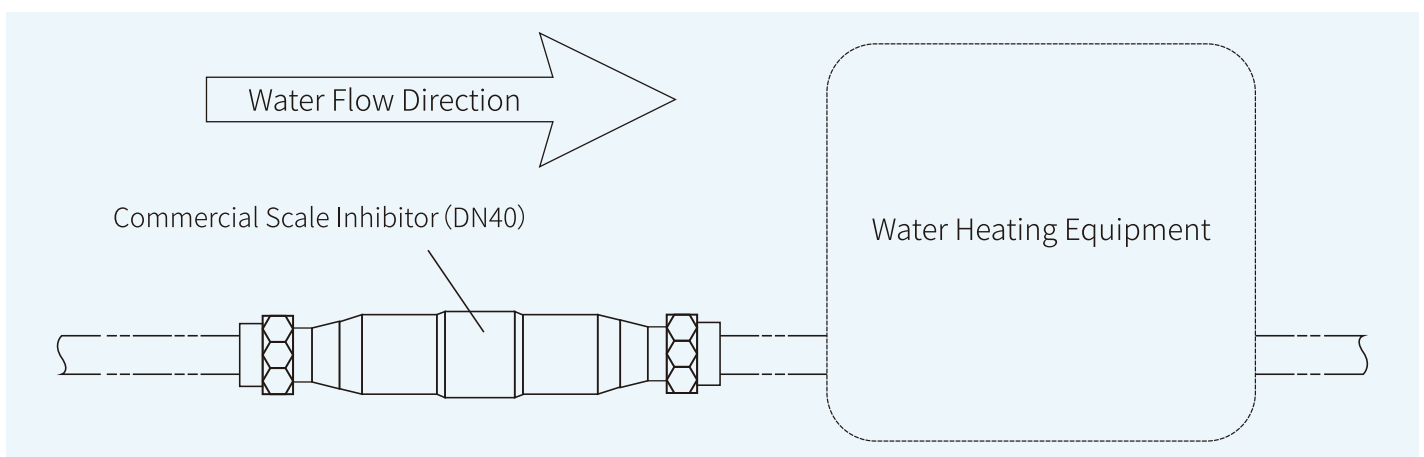
Parameter Table (Parameter Table For Fitting Type)

Connector DN40PPR (Hot Melting)	Item Weight 2.8 KG
Connector Material PPR	Package Weight 3.5 KG
Certifications NSF, RoHS, SGS	Applicable Water Temperature 0°C ~ +99°C (32°F ~ +210°F)
Applicable Water Municipal Water	Product Dimensions 404 x 71MM (16" x 2.8")
Applicable Water Pressure 0.15MPa ~ 1MPa (15Psi ~ 150Psi)	Package Dimension 480 x 120 x 110MM (18.9" x 4.7" x 4.3")
Flow Rate ≤9T/H (39.6 GPM)	

Parameter Table (Parameter Table For Flange Type)

Connector Flange	Applicable Water Municipal Water
Flange Diameter 150MM	Applicable Water Pressure 0.15MPa ~ 1MPa
Flange Thickness 15MM	Applicable Water Temperature 0°C ~ +99°C
Seal Quantity 2 PCS	Flow Rate ≤9T/H
Seal Weight 24 Grams	Item Weight 6.2 KG
Certifications NSF, RoHS, SGS	Product Dimensions 400 x 70MM
Package Weight 9.4 KG	Flange Seal Dimension 49 x 85 x 3.2MM

Structural Drawing





BRISK SPRING

Whole House Water Leakage Sensor Detector



Professional Mode Setting



Multiple Water Quality Monitoring



Mobile APP Remote Monitoring



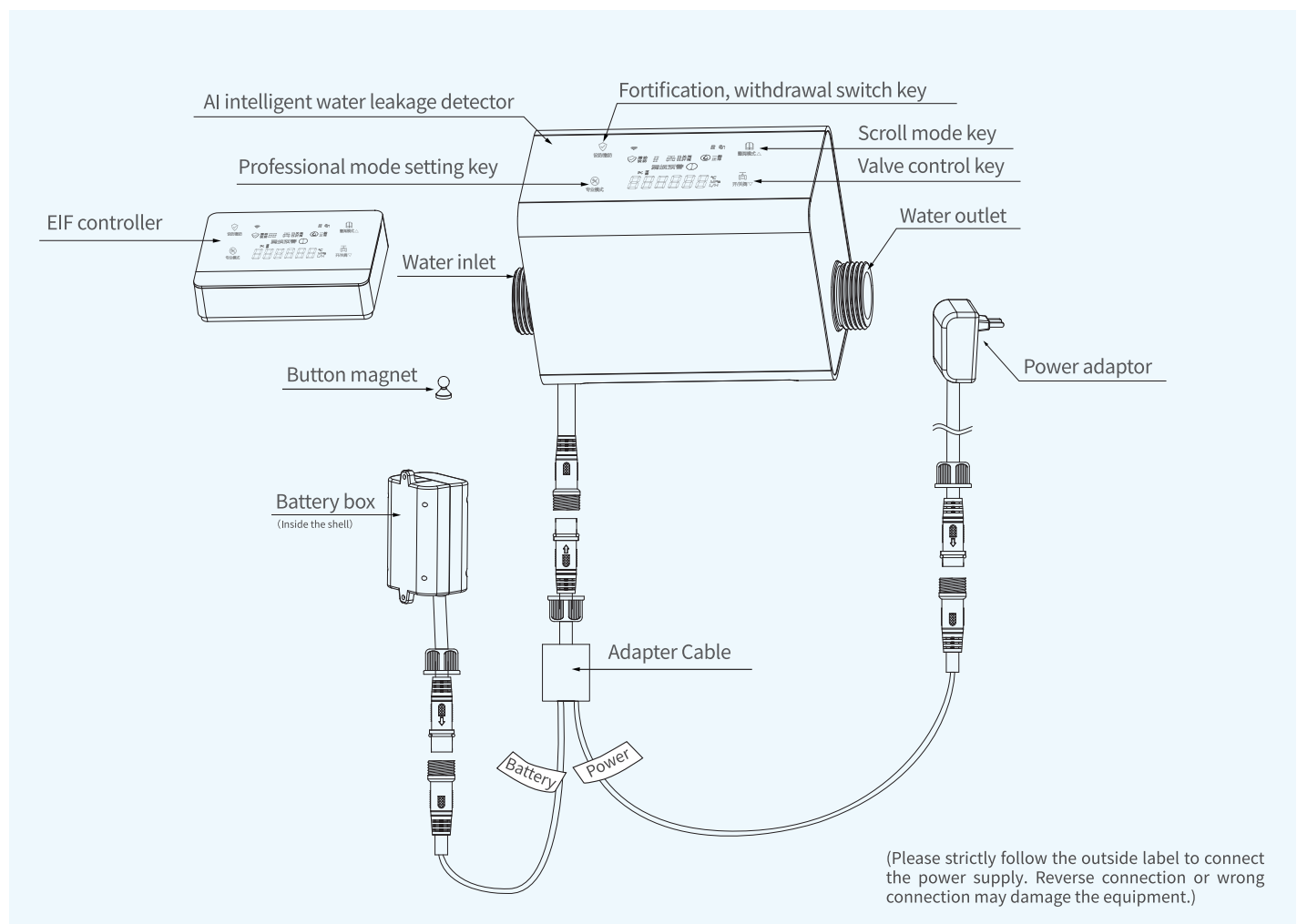
Dual Power Supply



Parameter Table

Connector 3/4" (1/2" or 1" available)	External Power Input 100V ~ 240V 50/60HZ
Connector Material Premium H59 - 1 Brass	0.5A Output 5V, 1A
Shell Material ABS Plastic	Measuring Range 2.0L/H ~ 4000L/H
Certifications NSF, RoHS, SGS	Applicable Water Temperature +1°C ~ +50°C (33.8°F ~ 122°F)
Applicable Water Pressure 0.1MPa ~ 0.75MPa (21.76psi ~ 108.8psi)	Applicable Water Quality Municipal Tap Water
External Battery Non-rechargeable Lithium Battery 3.6V	Included Components Power Adaptor, Nuts, Manual
Item Weight 1.25 KG	Product Dimensions 174 x 78 x 109 MM (0.57ft X 0.26ft X 0.36ft)

Structural Drawing





Brisk Spring,
Pure Water To Your House!

Universal Smart Home Water Leakage Detector



**Instant Installation
By Clamp**



**Working on
All Common Pipes**



**Live Data Reporting
& Flow Alerts**



**Cost Allocation
& Unlimited Meters**

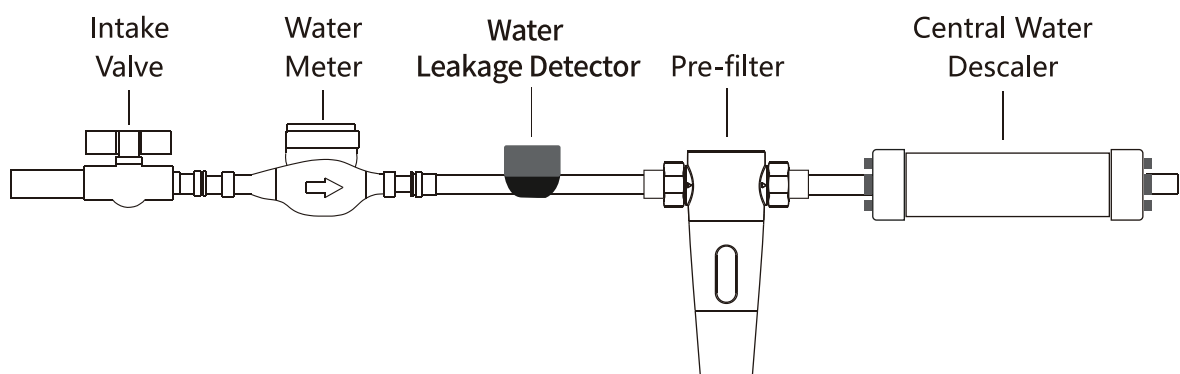


Parameter Table

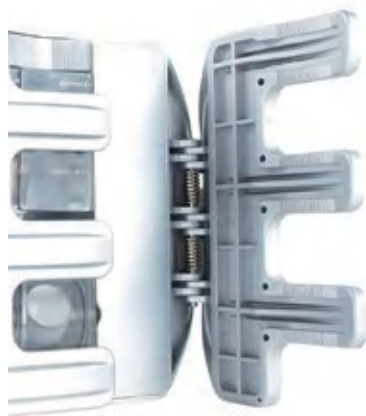
Pipe Size 1/2", 3/4", 1", 2"	Item Weight 0.453KG
Waterproof Level IP67	Applicable Water Temperature -20°C ~ +55°C (-4°F ~ 131°F)
Certifications RoHS, SGS	Package Dimensions 355.6 x 228.6 x 127 MM (14 x 9 x 5 Inches)
Applicable Water Municipal Water	Flow Rate 2L/H ~ 4000L/H (0.53G/H ~ 1056.69G/H)
Power Adapter Connector TYPE-C Interface	Working Principle Ultrasonic Sensor Detection

Schematic Diagram of Connection

1 Standard Installation on Water Supply System



2 Patented Technology



- ✓ **Universal Pipe Clamp**
Making the installation of detector easy
- ✓ **Pipe Types:**
PEX, PE, Copper L&M, PVC
- ✓ **Pipe Sizes:**
Water pipe sizes: 1/2", 3/4", 1.0", 1.25", 1.5", 2.0"
- ✓ **Detection Method:**
Ultra-high precise ultrasonic testing



Descaling Guard



SAAS Multi-Alloy
Physical Descaling

Environmentally
Friendly Material

Long-Term
Maintenance Free

No Magnetism
Or Electricity

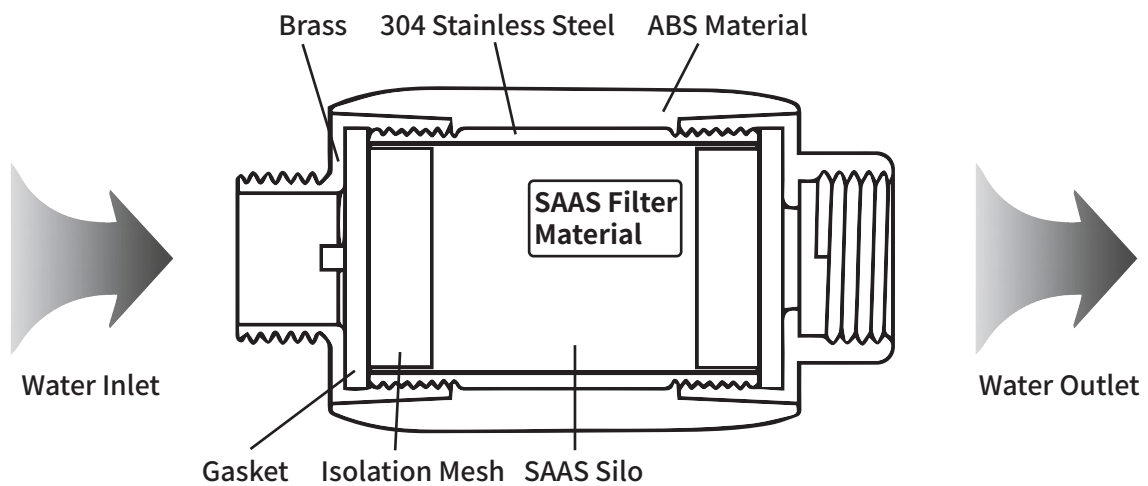
Newest Innovative
Technology



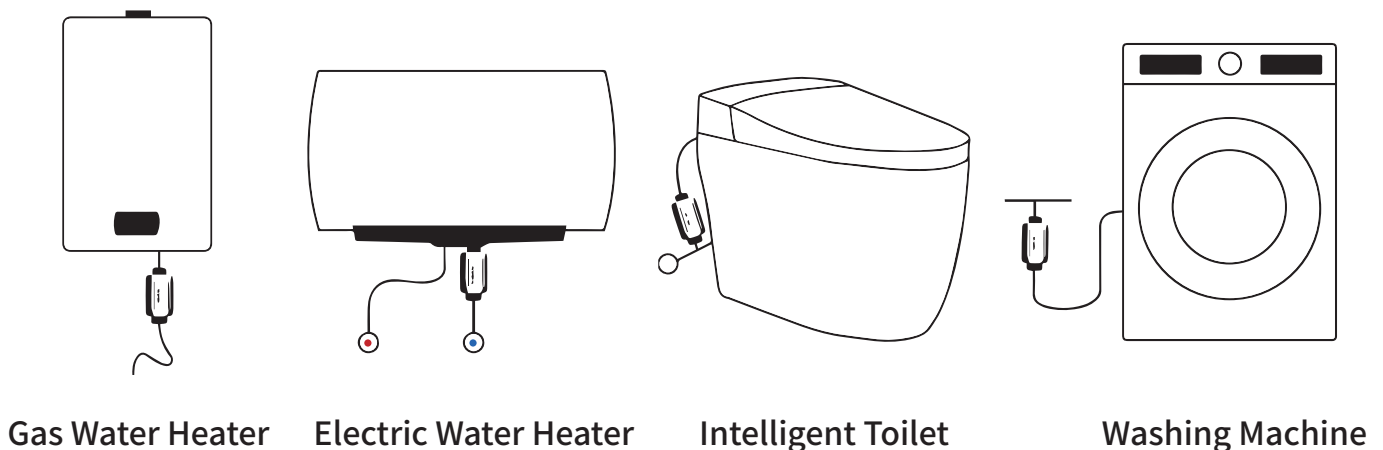
Parameter Table

Connector Size 1/2 "	Item Weight 0.205KG
Flow Rate ≤23.5L/M (6.2GPM)	Gross Weight 0.35KG
Certification CE, NSF, RoHS, SGS	Applicable Water Temperature 0°C ~ +99°C (0°F ~ +210.2°F)
Applicable Water Municipal Tap Water	Product Dimensions Φ3.6 x 8.1CM
Applicable Water Pressure 0.1MPa ~ 1MPa (14.5Psi ~ 145Psi)	Package Dimension 15 x 10 x 7CM
Filter Material Content 30g	Working Principle Pure Physical Ion Polarization

1 Structural Schematic Diagram



2 Application Scenario





®

BRISKSPRING

Water Heater Mate Scale Inhibitor



SS316L
Stainless Steel



Advanced Bio-Active
Technology



Food Grade
Modified Material



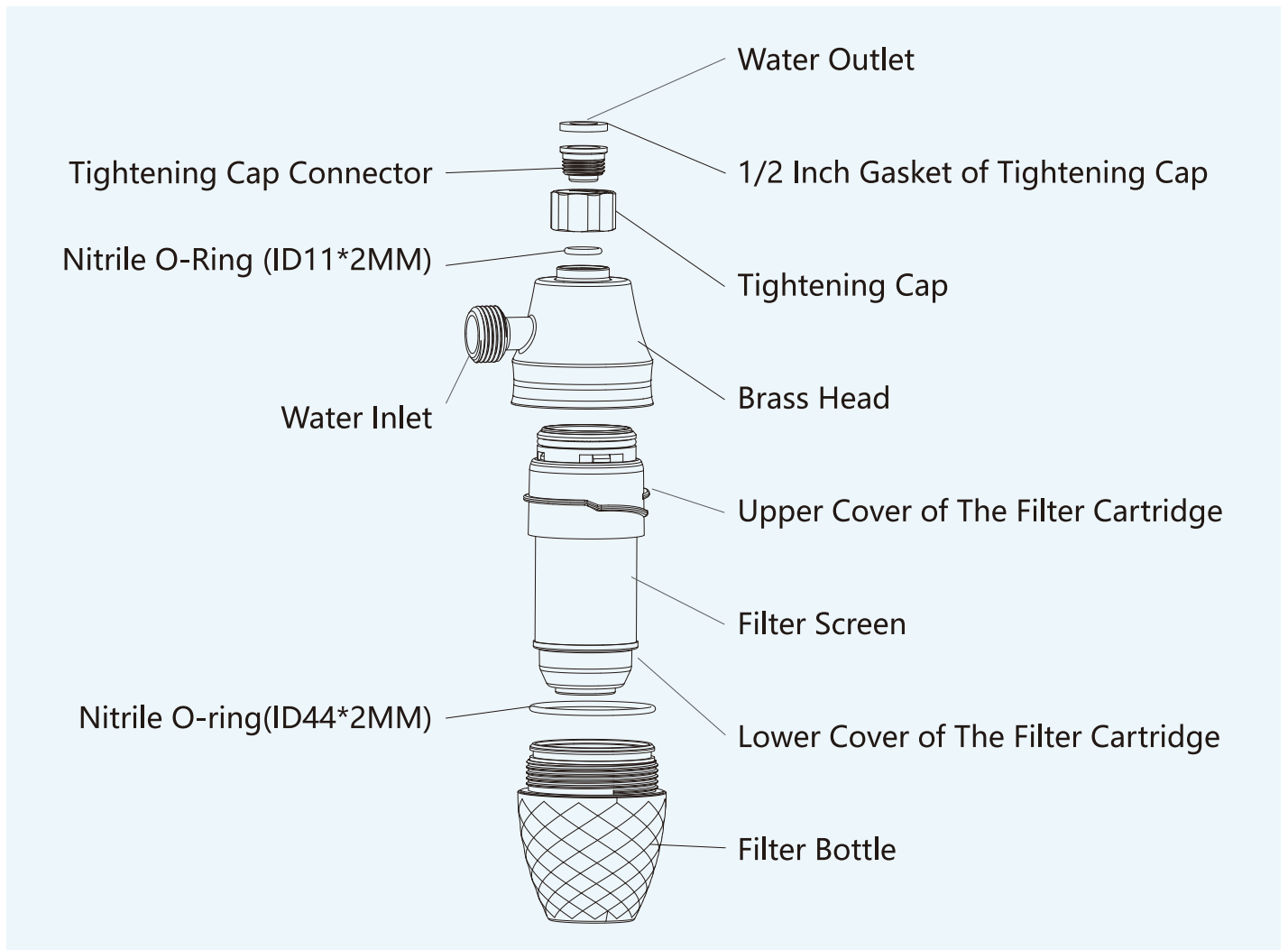
16L/M Large
Flow Rate



Parameter Table

Rated Working Water Pressure 0.15Mpa (21.75psi) ~ 0.75Mpa (108.8psi)	Applicable Water Quality Municipal Tap Water
Flow Rate 16L/min(0.42GPM)	Replacement Period 8-12 Months or Total Filtration Capacity of 30 Tons
Ambient Temperature +1°C (33.8°F) ~ +50°C (122°F)	Filtration Precision 40µm ~ 50µm
Nut Size 1/2 Inch	Bottle Cap Material Brass
Application Scenario Water Heater	Bottle Material Organic Glass BSK-G Material

Structural Drawing





®

BRISKSPRING

Descaler & Filter For Commercial Water Dispenser



Food Grade MSAP
Scale Inhibitor



Replaceable SUS316
Mash Cartridge



30 Liters Per Minute
Water Flow



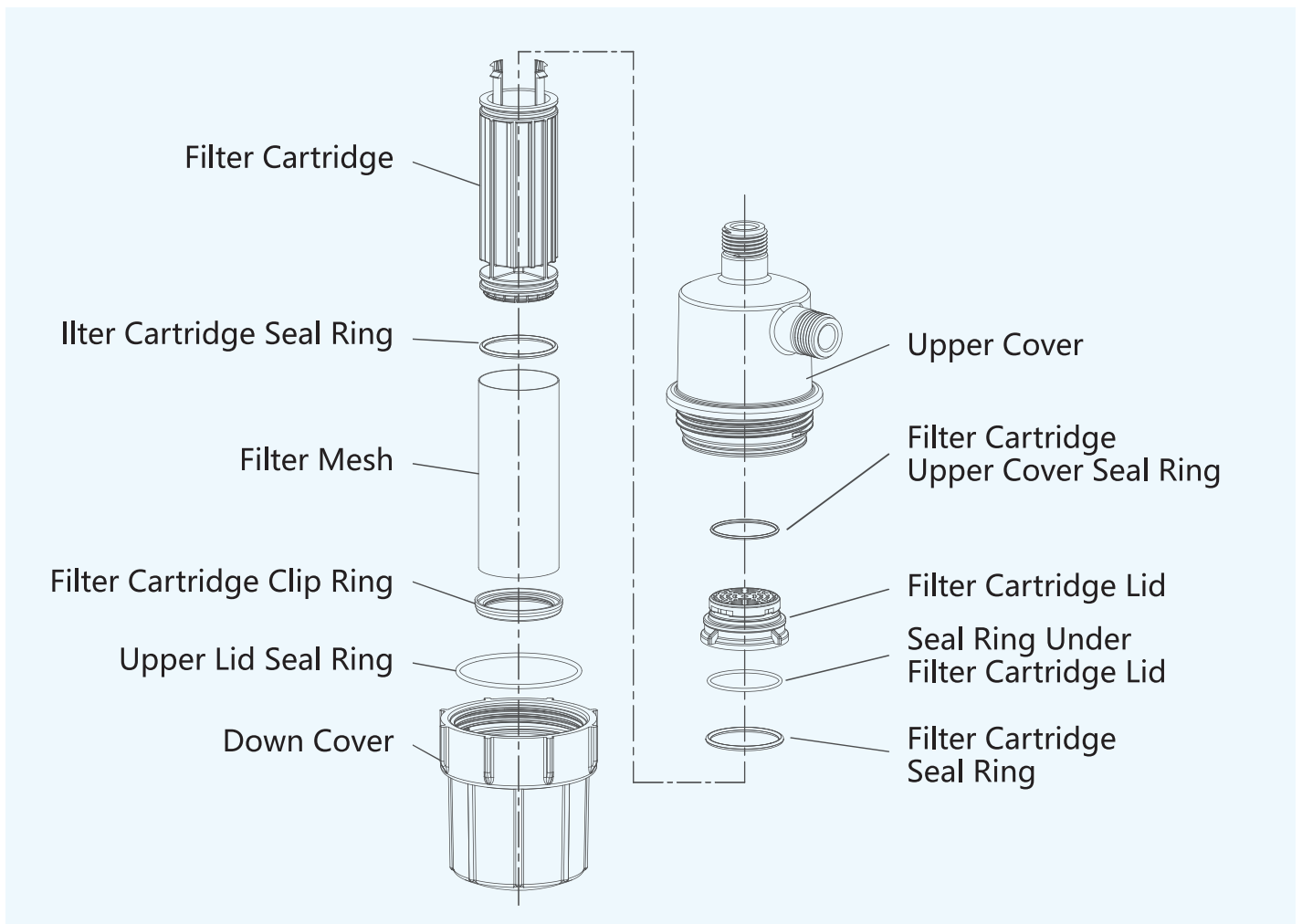
Dual Function of
Filter & Descale



Parameter Table

Connector 1/2" Male and Female	Item Weight 0.28KG
Cartridge Weight 0.086KG	Applicable Water Pressure 0.75MPa (108.75Psi)
Water Flow ≤30L/min (7.95GPM)	Filter Fineness 40 Micron
Applicable Water Temperature +1°C ~ +60°C (33.8°F ~ 140°F)	Applicable Water Municipal Water
Product Size 16MM Height x 8MM Width (0.32inch)	Working Principle Filter Impurities & Descale for Commercial Water Dispensers

Structural Drawing





Water Purifier For Shower



Composite Filter Element
Activated Carbon+MSAP



Dechlorination and
Heavy Metal Removal



Efficient Scale
Inhibition



Auxiliary Memory
Guarding

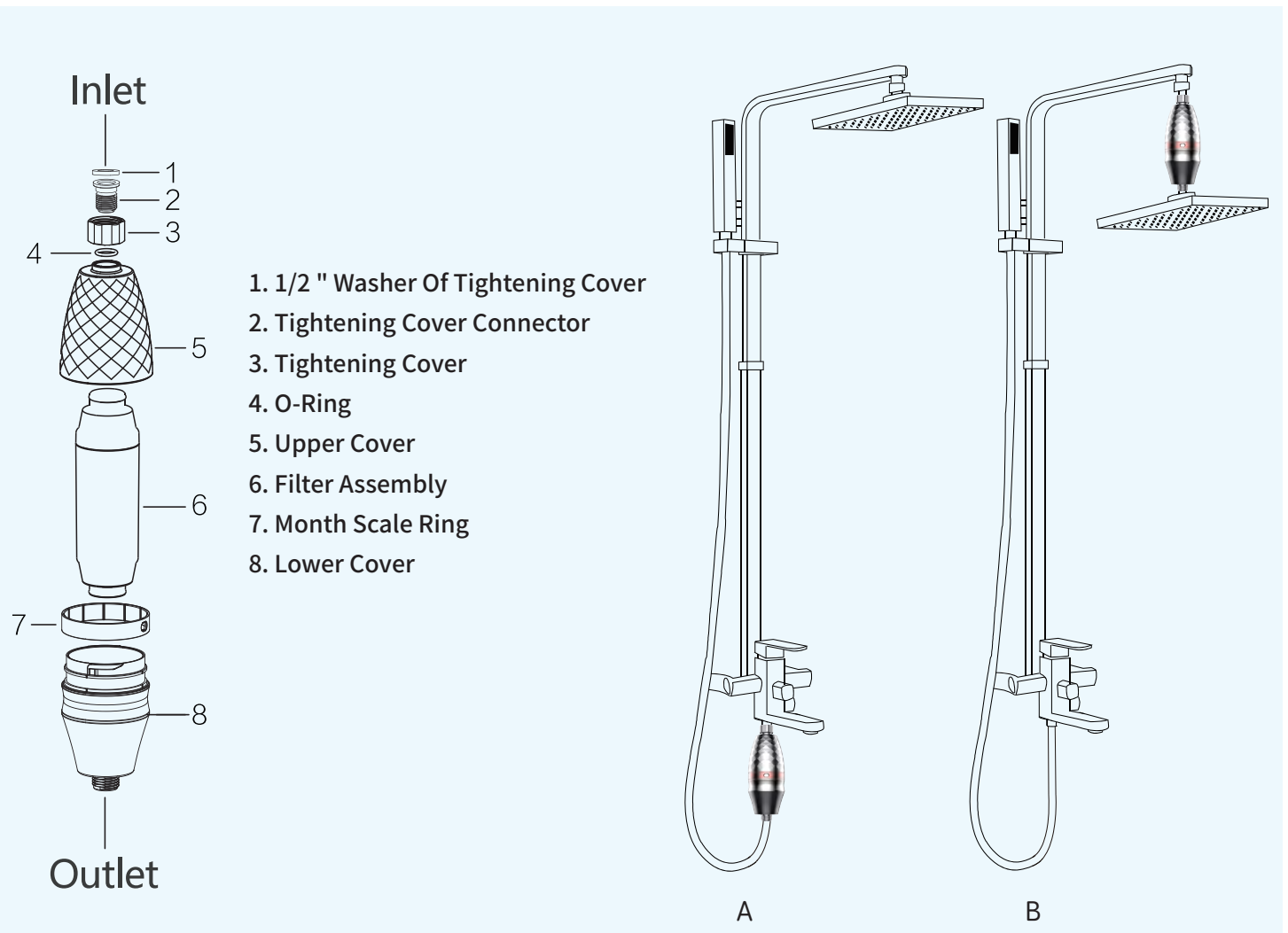


Parameter Table

Operating Pressure 21.8Psi ~ 108Psi (0.1Mpa ~ 0.75Mpa)	Connection Size 1/2 "
Flow Rate 4.23GPM (16L/Min)	Replacement Period 6 ~ 10 Months or 20 Tons of Total Water Filtration
Applicable Water Temperature +33.8°F ~ +122°F (+1°C ~ +50°C)	Filtration Precision 100 ~ 120Microns
Applicable Water Source Municipal Tap Water	Filter Media Imported Silver-Carrying Activated Carbon; MSAP+KDF
Filter Mesh Material 316L Food-Grade Stainless Steel	Bottle Material ABS Plastic, BPA-Free

Product Structure Diagram

Installation Diagram





Brisk Spring,
Pure Water To Your House!

Innovative End-Point Scale Inhibitor



Eco-Friendly



Food-Grade Safety



Extreme Stability



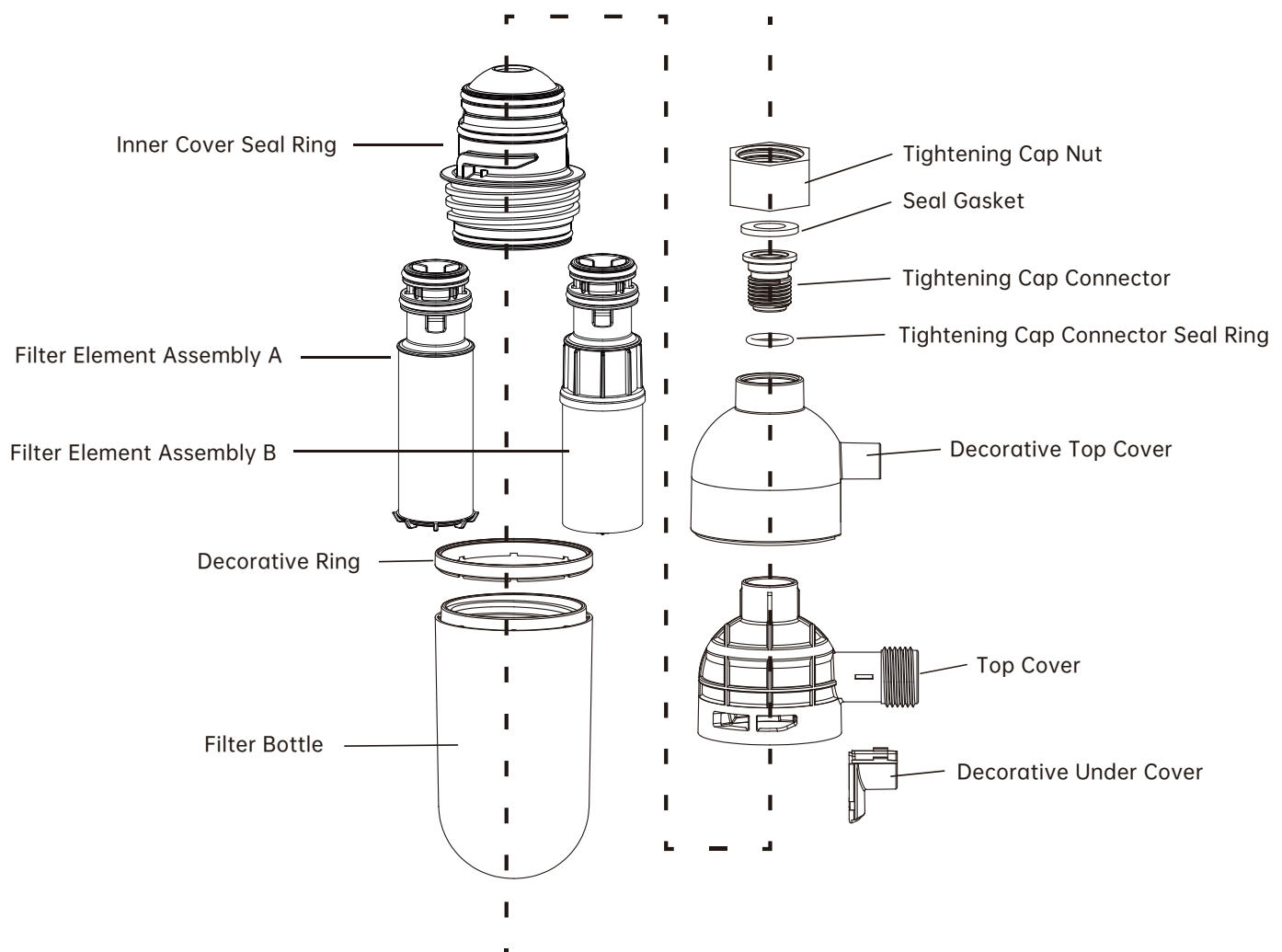
Neutral PH without
Contamination



Parameter Table

Connector Size 1/2"	Item Weight 0.245KG
Filter Cartridge SUS316 Filter Mesh + MSAP or Carbon Fiber + MSAP	Package Weight 1.05KG
Filtration Accuracy 40-50μm or 10μm	Applicable Water Temperature 1°C ~ +50°C (33.8°F ~ 122°F)
Applicable Water Municipal Water	Product Dimensions 170 x 80 x 60MM (6.69 x 3.15 x 2.36Inch)
Applicable Water Pressure 0.15MPa ~ 0.75MPa (22Psi ~ 109Psi)	Package Dimension 215 x 100 x 100MM (8.46 x 3.94 x 3.94Inch)
Flow Rate \leq1T/H (\leq4.4 GPM)	Working Principle Bioactive Materials - MSAP

Structural Drawing





Brisk Spring,
Pure Water To Your House!

Intelligent Toilet Scale Inhibitor



Shunt Independent
Filter Cartridge



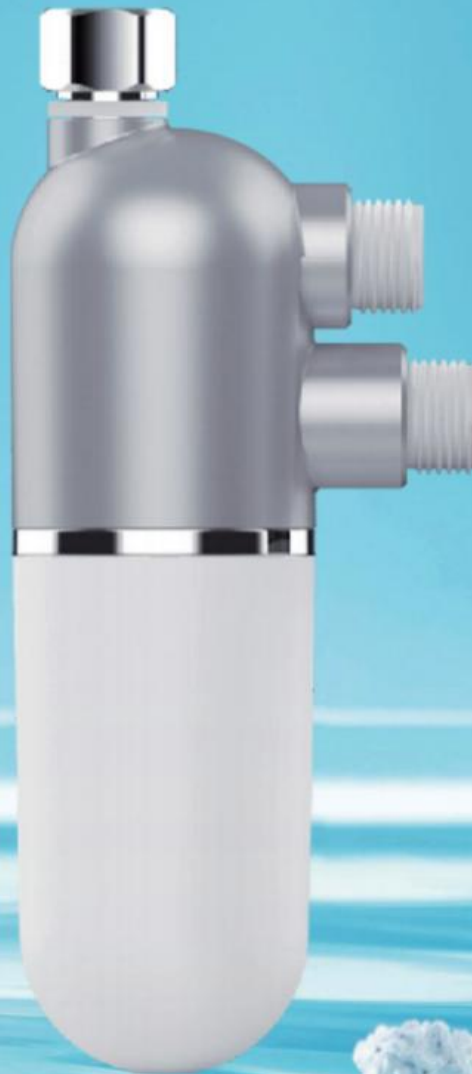
Spiral Inlet
Flow Design



All-In-One
Design



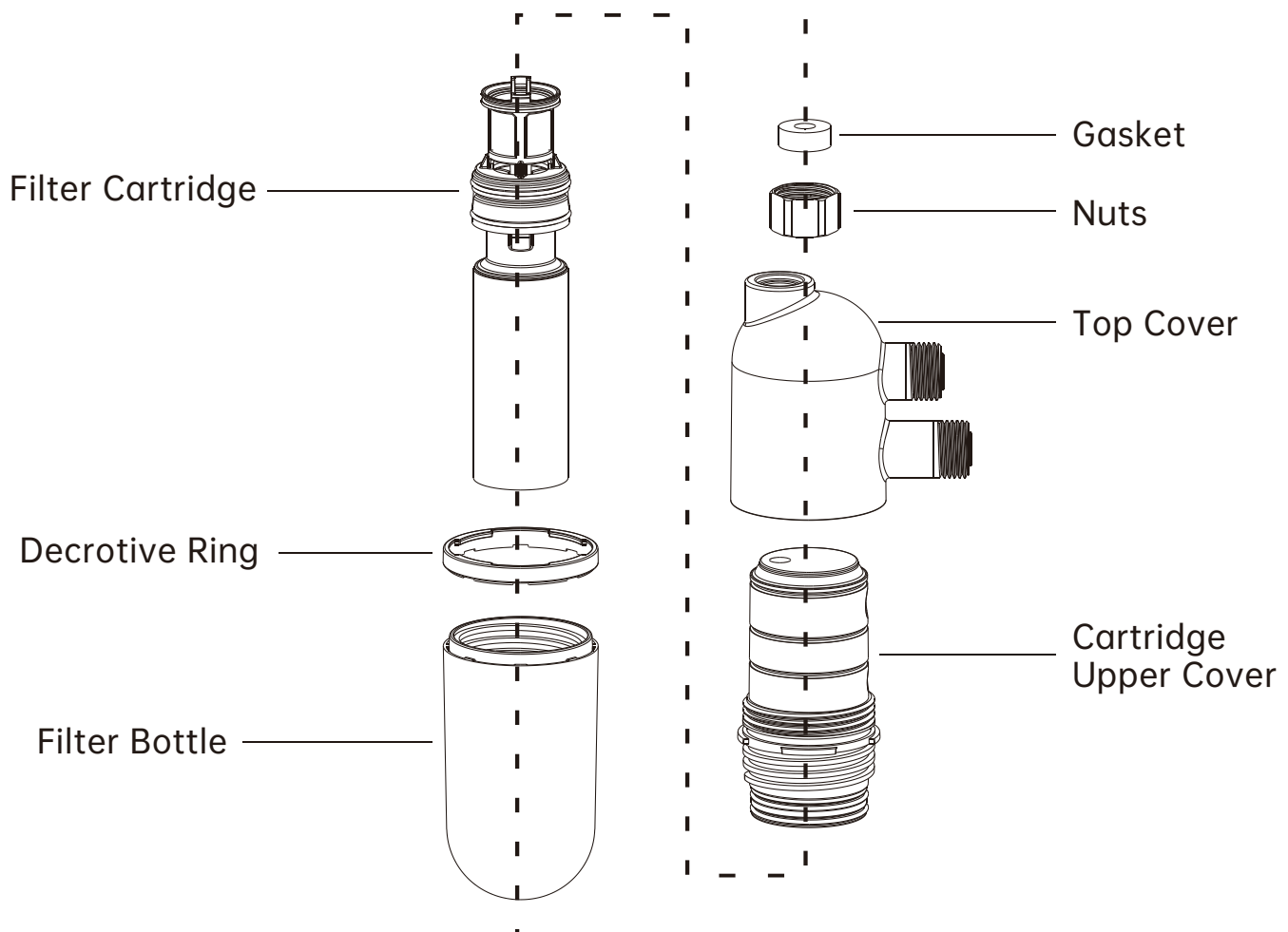
Easy
Installation



Parameter Table

Connector Size 1/2"	Item Weight 0.325KG
Filter Cartridge Carbon Fibre + MSAP	Connector Material SUS304
Filtration Accuracy 40µm	Applicable Environment Temperature +1°C ~ +50°C (33.8°F ~ 122°F)
Applicable Water Municipal Tap Water	Product Dimensions 54MM x 86MM x 193MM (2.12" x 3.39" x 7.6")
Applicable Water Pressure 0.15 ~ 0.75Mpa (21.8 ~ 108.8psi)	Filter Material MSAP Filter Material
Flow Rate 1T/H (4.4 GPM)	Packing Weight 407.2g

Structural Drawing





Brisk Spring,
Pure Water To Your House!

MSAP Bioactive Material Anti-Scale Water Filter



**99% Super Scale
Inhibition Rate**



**Food Grade
& 316L Stainless
Steel Mesh**



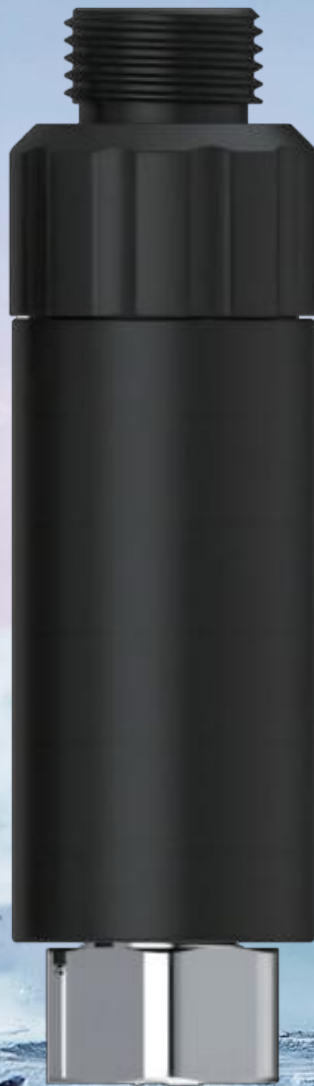
**Greatly Protecting
Metal Pipes
Against Scale**



**400 Micron
Precision
Filter Mesh**



**Easy Cartridge
Replacement**

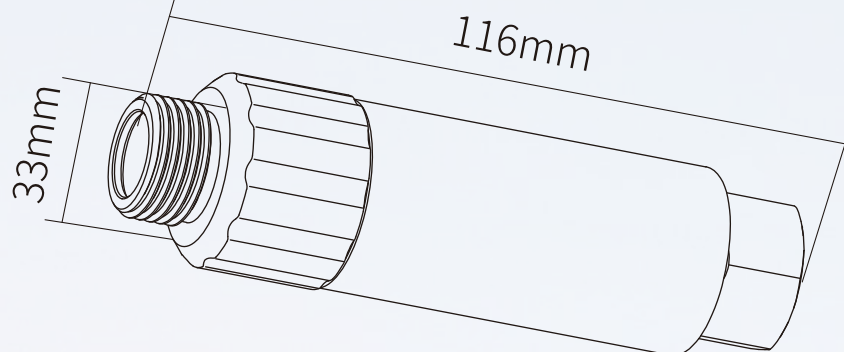


Parameter Table

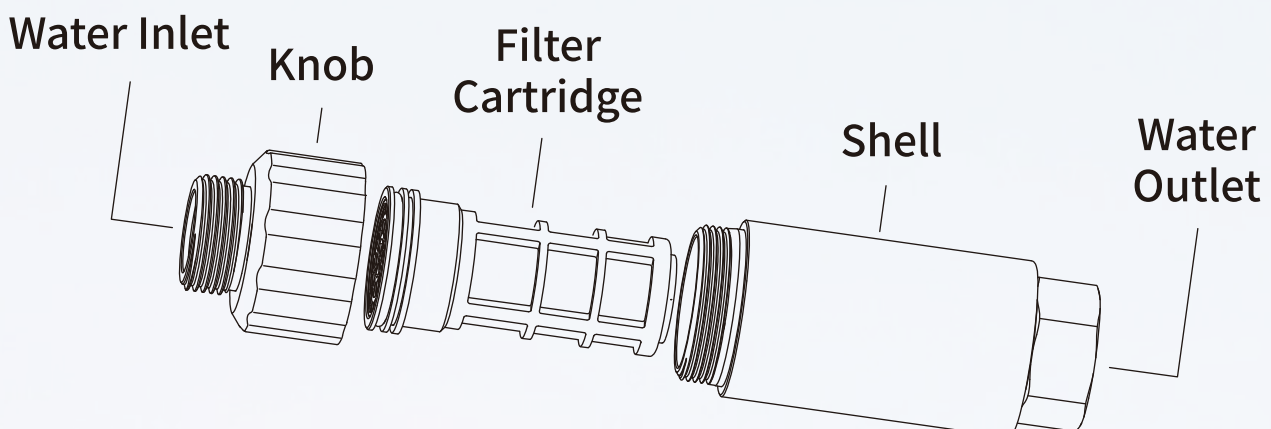
Working Pressure 0.1-1.6MPa (14.5-232Psi)	Connector Size 1/2"
Cartridge Grade Food Grade	Connector Material H59-1 Brass
Applicable Water Temperature 0°C ~ +85 °C (32°F ~ 185°F)	Applicable Water Quality Municipal Tap Water
Clean Water Flow 23L/min±0.05% (5.98GPM)	Filter Cartridge Life 12 Months
Package Weight 2.99KG	Item Weight 2.33KG
Filtration Accuracy 400 micron	Total Net Water Volume 20T (5,283Gallon)

Schematic Diagram of Connection

1 Product Dimensions



2 Structural Drawing





Brisk Spring,
Pure Water To Your House!

MSAP Bioactive Material Anti-Scale Water Filter



**99% Super Scale
Inhibition Rate**



**Food Grade
316L Stainless
Steel Mesh**



**Greatly Protecting
Metal Pipes
Against Scale**



**400 Micron
Precision
Filter Mesh**



**Easy Cartridge
Replacement**

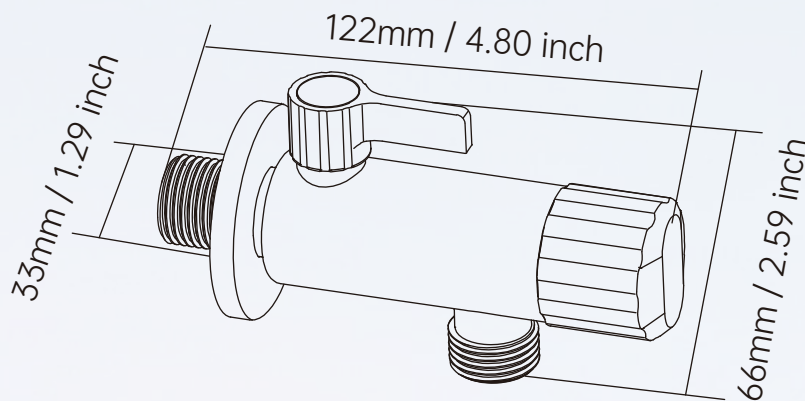


Parameter Table

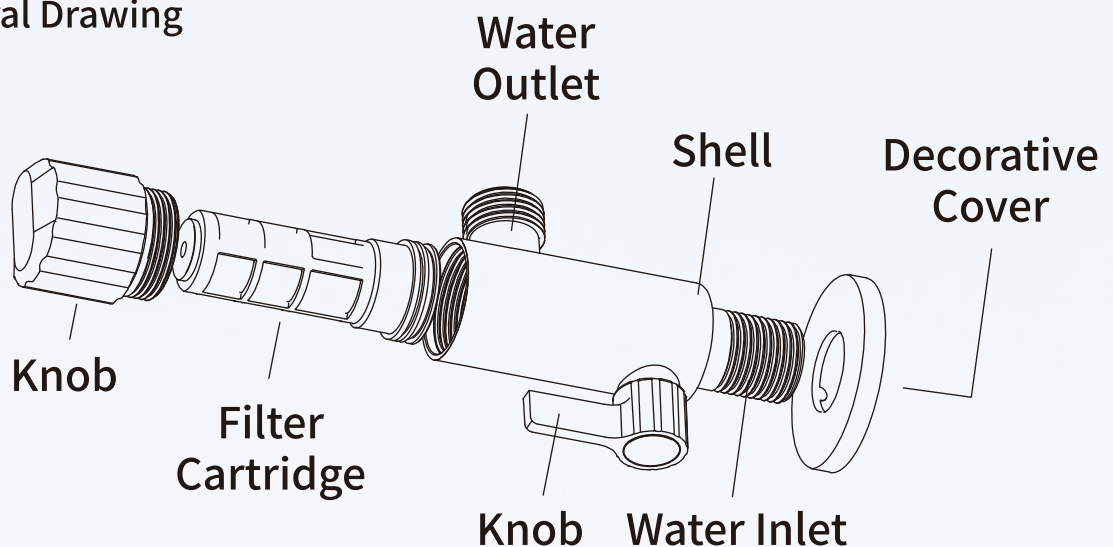
Working Pressure 0.1-1.6MPa (14.5-232Psi)	Connector Size 1/2"
Cartridge Grade Food Grade	Connector Material H59-1 Brass
Applicable Water Temperature 0°C ~ +85 °C (32°F ~ 185°F)	Applicable Water Quality Municipal Tap Water
Clean Water Flow 23L/min±0.05% (5.98GPM)	Filter Cartridge Life 12 Months
Package Weight 4.27KG	Item Weight 3.57KG
Filtration Accuracy 400 micron	Total Net Water Volume 20T (5,283Gallon)

Schematic Diagram of Product

1 Product Dimensions



2 Structural Drawing





Brisk Spring,
Pure Water To Your House!

MSAP Bioactive Material Anti-Scale Water Filter



**99% Super Scale
Inhibition Rate**



**Food Grade
316L Stainless
Steel Mesh**



**Greatly Protecting
Metal Pipes
Against Scale**



**400 Micron
Precision
Filter Mesh**



**Easy Cartridge
Replacement**

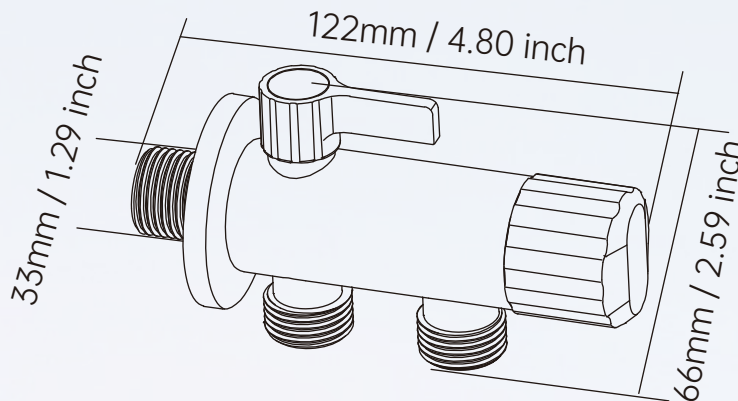


Parameter Table

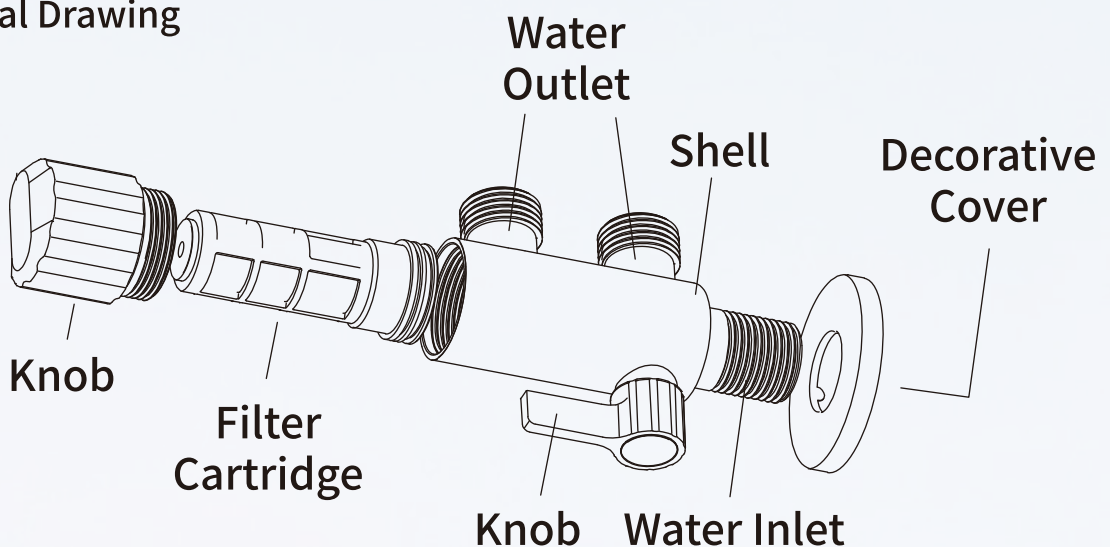
Working Pressure 0.1-1.6MPa	Connector Size 1/2"
Cartridge Grade Food Grade	Connector Material H59-1 Brass
Applicable Water Temperature 0°C ~ +85 °C	Applicable Water Quality Municipal Tap Water
Clean Water Flow 23L/min±0.05% (5.98GPM)	Filter Cartridge Life 12 Months
Package Weight 4.43KG	Item Weight 3.73KG
Filtration Accuracy 400 micron	Total Net Water Volume 20T

Schematic Diagram of Product

1 Product Dimensions



2 Structural Drawing





BRISKSPRING

600 GPD Tankless RO Reverse Osmosis Water Filter System



Patented Button-Type
Filter Cartridge



Integrated Water
Circuit



Silent High-Flow
Booster Pump



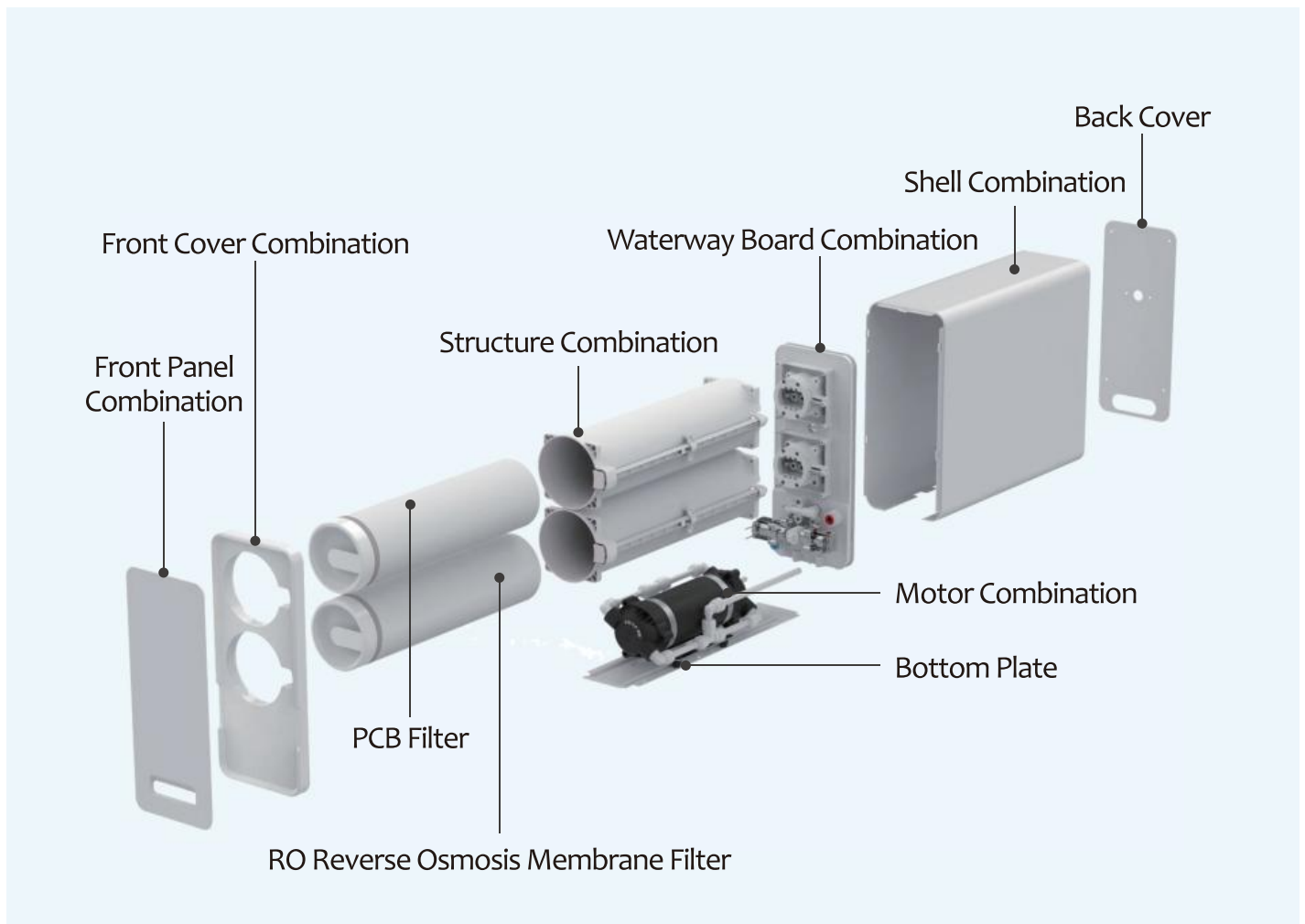
Intelligent Water
Leakage Protection



Parameter Table

Flow Rate 1.5L/min	Rated Voltage/Rated Frequency 220Volt/50Hz
Rated Power 96W	Rated Total Net Water Volume 5000L
Inlet Water Pressure 0.1MPa(14.5psi) ~ 0.4MPa(58psi)	Working Pressure 0.4MPa(58psi) ~ 0.9MPa(130.5psi)
Applicable Water Temperature +5°C(41°F) ~ +38°C(100.4°F)	Ambient Temperature +2°C(35.6°F) ~ +45°C(113°F)
Product Dimensions 140 x 388 x 333 MM (5.5 x 15.27 x 13.11 Inch)	Applicable water source Municipal Tap Water

Structural Drawing





BRISKSPRING

Free-Installation RO Membrane Portable Water Dispenser



**Instant Heating
Technology**



**Portable & Hand-Held
Multi-Scenario**



**Quick Replacing
of Cartridge**



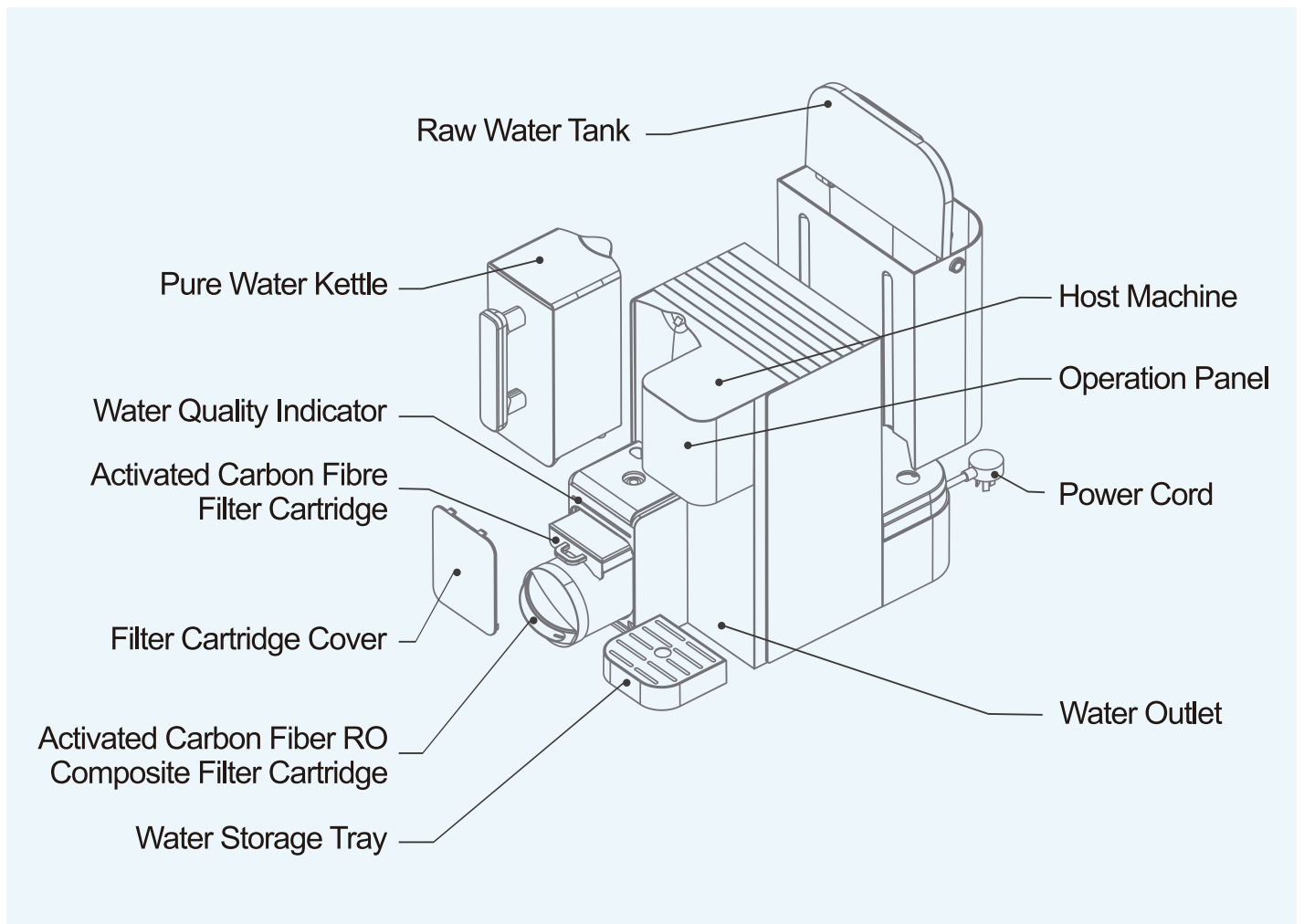
**Purifying any Water,
Promptly & Easily**



Parameter Table

Rated Purify Water Flow 0.26L/min (1.65 GPM)	Rated Total Purified Water Volume 2000L
Rated Voltage/Frequency 220Volt/50Hz	Total Rated Power 2200W
Hot Water Capacity 20L/H, ≥90°C (20L/H, ≥194)	Applicable Water Temperature +5°C ~ +38°C (41°F ~ 100.4°F)
First Membrane Type PP+RO	Second Membrane Type ACFALL (Mineral Supplement)
Filter Fineness 0.0001 Micron	Product Dimensions 231 x 420 x 375 MM (0.76ft x 1.38ft x 1.23ft)

Structural Drawing



**HANGZHOU BEISHUN BRISKSPRING
ENVIRONMENTAL TECHNOLOGY**

Address: No.35 Shangtang St., Wukang Town,
Deqing County, Huzhou City, Zhejiang, China

Tel: 0571-8102 3091

Fax: 0571-8102 3093

Mob: +86-137 5812 5058

Email: srttube@parshun.com



RoHS

KTW-
BWGL

SGS

ACS



More Information, More Samples,
Please Just Scan This QR Code.